

# FELLER GMBH

A-2525 GUENSELSDORF, AUSTRIA - TEL.: .. 43(2256) 62 32 50 - FAX: .. 43 (2256) 62 32 57  
e-mail: sales@feller-at.com <http://www.feller-at.com>

## **Description:** PRC/3-H05VVF3G1,00-C13W/2,50m, black

Rating of cord set: 10 A, 250 V AC

### **1. PLUG: Type PRC/3**

Molded plug according to : GB1002  
Rated current and voltage : 10 A, 250 V AC  
Plugbase : PPO GFR  
Pins : solid brass, nickel-plated, crimped  
Pins dimension : 6,40 mm x 1,50 mm  
Outer mold : PVC compound, hardness Shore A75-77  
Approvals : CCC

### **2. CORD: Type H05VVF3G1,00mm<sup>2</sup>**

Flexible cord according to : HD 21.S2; AS 3191  
Marked : \*JF\* <ÖVE> <HAR> H05VVF3G1,0mm<sup>2</sup> \*N1095\* CE  
\*CCC 227 IEC 53(RVV) 300/500 3x1,0  
\*VCTF 3CX1,0mm<sup>2</sup>  
Number of cores : 3  
Conductor construction : 31x0,195 mm O.D. 1,25mm  
Conductor insulation : Extruded PVC O.D. 2,40mm  
Jacket : Extruded PVC O.D. 6,80mm +/- 0,20mm  
Electrical resistance of conductors : max. 19,5 Ω/km  
Dielectric strength : 2000 V  
Approvals : HARMONIZED, VDE, ÖVE, CEBEC, KEMA, S, D, N, FI, SEV, LCIE, IMQ, BSI, SAA, CCC

### **3. CONNECTOR: Type C13W**

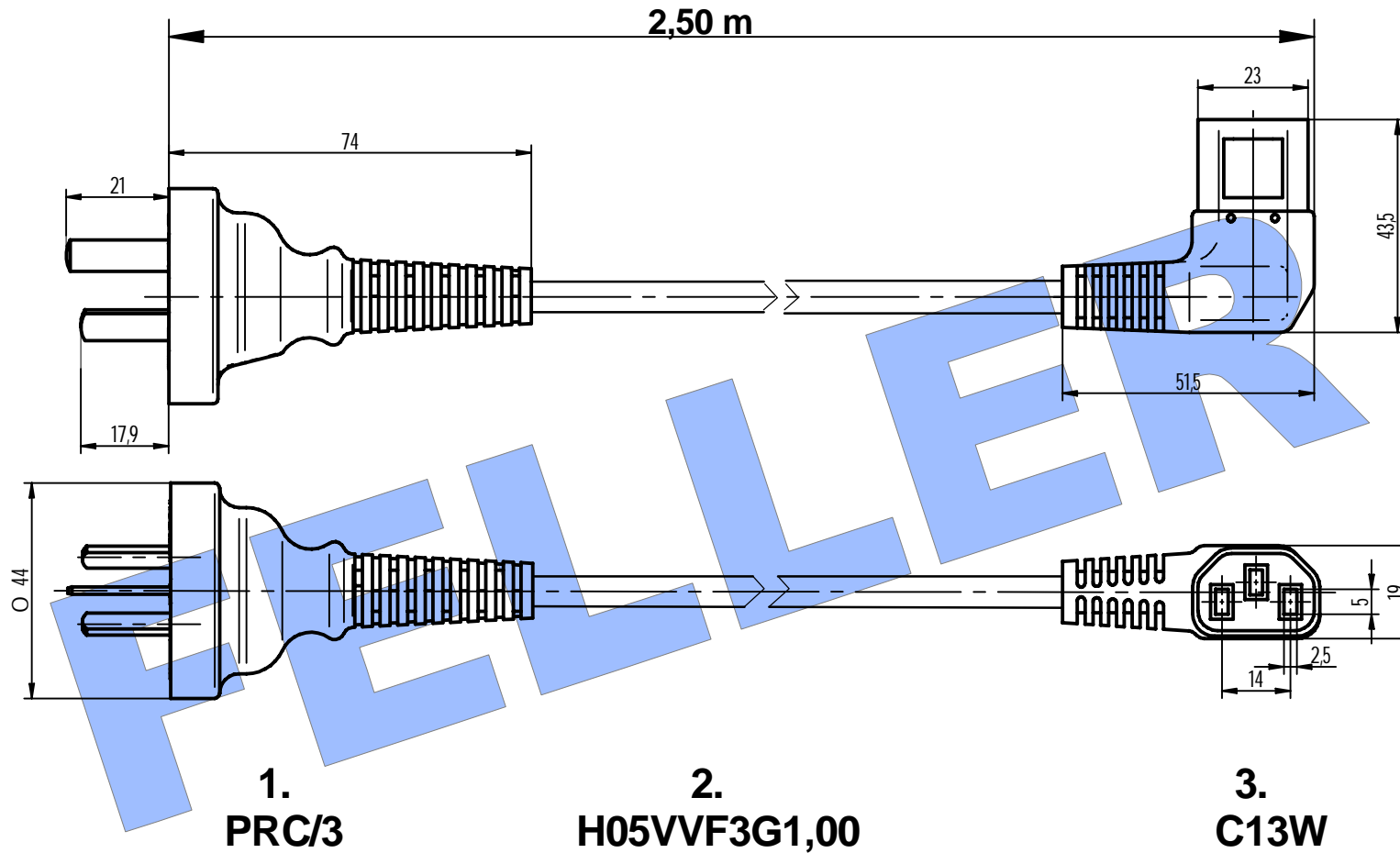
Molded connector according to : EN 60320/C13, UL 817  
Rated current and voltage : 10 A, 250 V AC  
Contacts of the connection : self-adjusting phosphor bronze CuSn6  
Inner insulation : PPO GFR  
Outer mold : PVC compound, hardness Shore A 75-77  
Approvals : ENEC, SAA, UCIEE, UL, CSA, JET, CCC

## **TESTING**

Electrical testing : 100%  
Visual inspection : 100%  
High pot test wire to wire : 3 kv for 2 sec.  
Continuity test : 25A to grounding / 20A to line and neutral  
Polarity test : yes  
Skin high pot test : 6kv line to skin

Tolerances not indicated in the drawing: +/- 2 %  
design subject to change without prior notice

DATE of ISSUE:	October, 2003
REV: 1   1	ORIG: mk



**Feller Type: PRC/3 - H05VVF3G1,00 - C13W / 2,50m, black**

23.10.03

**FELLER** 

A-2525 Günselsdorf, Austria

Telefon 0043-2256-62325-0

Fax: 0043-2256-62325-7

email: sales@feller-at.com

http://www.feller-at.com